

Flame Photometric Detector PMT and Bracket Assemblies

Description	HP Part No.	Qty.
1. Heater/sensor assembly	G1535-60610	1
2. Photomultiplier Tube (PMT)	G1535-80050	–
3. O-ring	0905-1099	–
4. PM tube and housing assembly	19256-60510	1
5. Main bracket	G1535-00010	1
6. Chimney, back	G1535-00020	1
7. Chimney, front	G1535-00030	1
Filters		1
Sulfur mode (not shown)	19256-80000	
Phosphorus mode (not shown)	19256-80010	

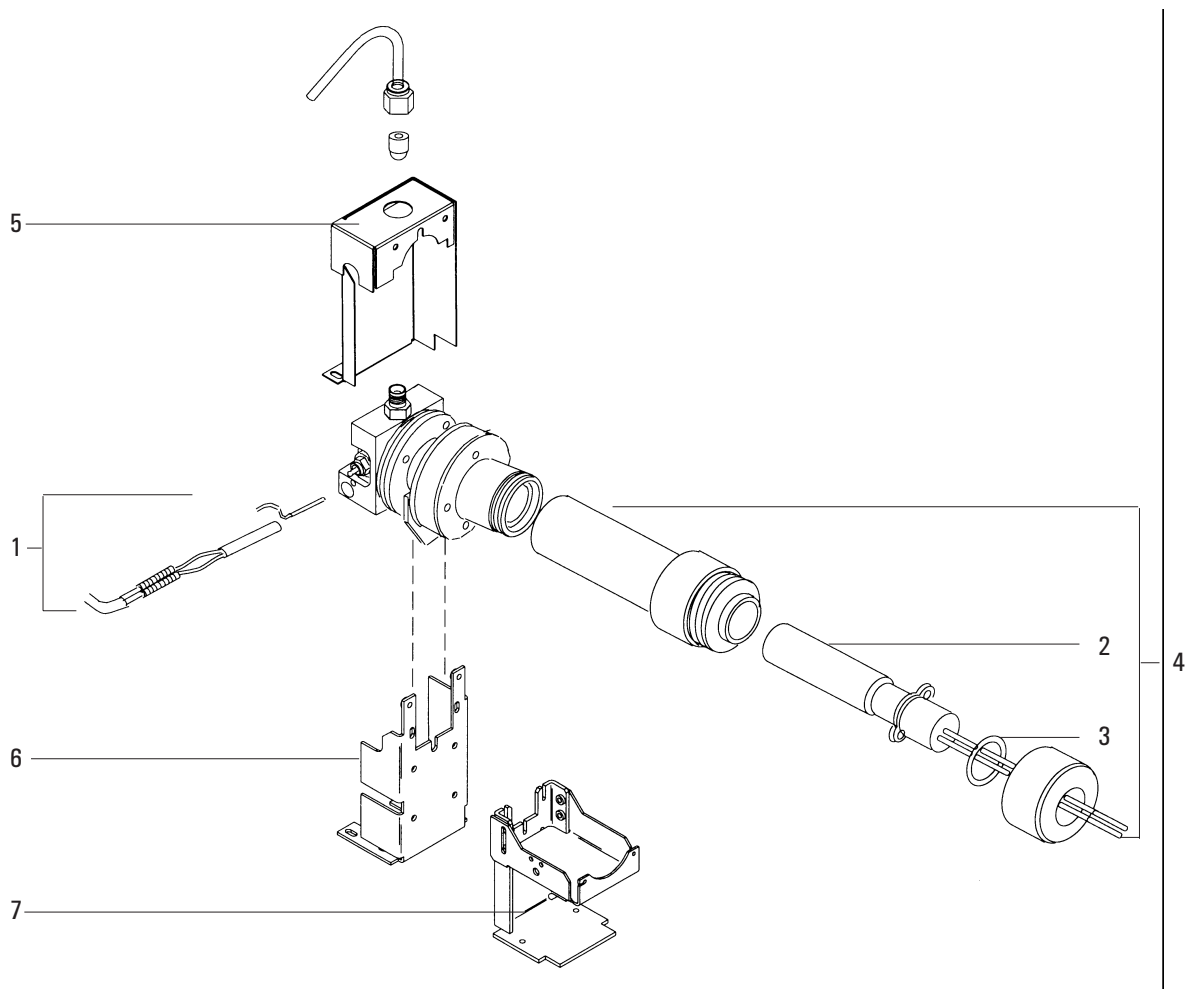


Figure 1320-13 Exploded Diagram of the PMT and Bracket Assemblies